



Espacenet search results on 09-04-2015 12:39

1 result found in the Worldwide database for:
num = EP2535640B1 using Smart search
Displaying selected publications

Publication	Title	Page
EP2535640 (A1)	LED LAMP BULB AND LED LIGHTING BAR CA...	2

(19)



(11)

EP 2 535 640 A1

(12)

EUROPEAN PATENT APPLICATION
published in accordance with Art. 153(4) EPC

(43) Date of publication:
19.12.2012 Bulletin 2012/51

(51) Int Cl.:
F21V 19/00 (2006.01) F21V 23/00 (2006.01)
F21V 29/00 (2006.01) F21Y 101/02 (2006.01)

(21) Application number: **11823056.4**

(86) International application number:
PCT/CN2011/079234

(22) Date of filing: **01.09.2011**

(87) International publication number:
WO 2012/031533 (15.03.2012 Gazette 2012/11)

(84) Designated Contracting States:
AL AT BE BG CH CY CZ DE DK EE ES FI FR GB GR HR HU IE IS IT LI LT LU LV MC MK MT NL NO PL PT RO RS SE SI SK SM TR
Designated Extension States:
BA ME

(72) Inventors:
• **GE, Shichao**
Hangzhou
Zhejiang 310012 (CN)
• **LIU, Huabin**
Hangzhou
Zhejiang 310012 (CN)
• **GE, Tiehan**
Hangzhou
Zhejiang 310012 (CN)

(30) Priority: **29.08.2011 CN 201120319651 U**
11.05.2011 CN 201120148206 U
11.05.2011 CN 201120148195 U
29.12.2010 CN 201020685204 U
29.12.2010 CN 201010610092
22.11.2010 CN 201020617406 U
08.09.2010 CN 201010278760

(74) Representative: **Stiel, Jürgen**
Patentanwalt Stiel
Geissleite 32
97289 Thüngen (DE)

(71) Applicant: **Zhejiang Ledison Optoelectronics Co., Ltd.**
Hangzhou, Zhejiang 310012 (CN)

(54) **LED LAMP BULB AND LED LIGHTING BAR CAPABLE OF EMITTING LIGHT OVER 4**

(57) The present invention discloses a LED light bulb, comprising: a LED light bulb shell; a core column with an exhaust tube and a bracket; at least one LED light emitting strip with LED chips therein emitting 4π light; a driver; and an electrical connector, wherein the LED light bulb shell is vacuum sealed with the core column so as to form a vacuum sealed chamber, which is filled with a gas having a low coefficient of viscosity and a high coefficient of thermal conductivity, the bracket and the LED light emitting strips fixed on the bracket are housed in the vacuum sealed chamber, the LED light emitting strip is in turn electrically connected to the driver, the electrical connector, while the electrical connector is used to be electrically connected to an external power supply, so as to light the LED light emitting strips. In addition, the present invention also provides the LED light emitting strips with LED chips emitting 4π light, as used in the LED light bulb.

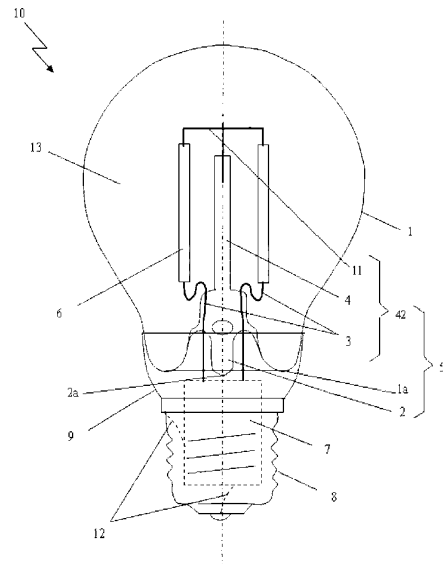


Fig. 1

EP 2 535 640 A1